

PRODUCT INFO

OFFICE-BAG QL3.1

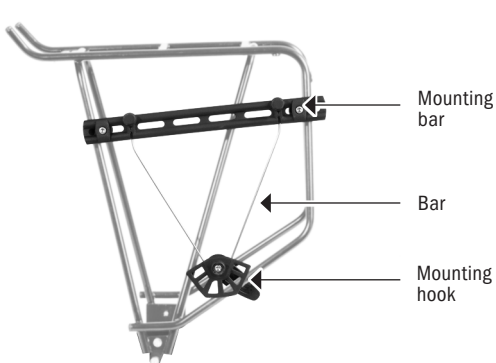
Bike briefcase with QL3.1 system and roll closure

QL3.1 system

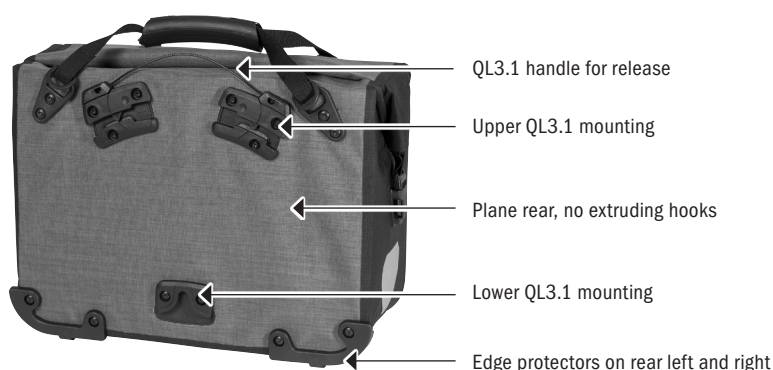
IP 64

PS36C

PVC free



QL3/QL3.1 mounting components (incl.)



| Material | height cm/in. | width cm/in. | depth cm/in. | vol. L/cu.in | weight g/oz. |
|----------|-----------------------------|-----------------------------|---------------------------|--------------|--------------|
| PS36C | inner 29/11.4 outer 30/11.8 | inner 39/15.4 outer 40/15.7 | inner 15/5.9 outer 17/6.7 | 21/1282 | 1530/54.0 |

SPECIFICATIONS:

- + Waterproof brief case with roll closure and QL3.1 mounting system
- + Ideal for biking to the office, city, university etc.
- + Increased visibility when hit by headlights due to highly visible reflective fabric in black
- + Single-handed mounting and removal of the bag
- + Mounting components compatible with racks having tubes up to 10 mm diameter
- + Flat mounting elements ensure plane reverse side of bag
- + Height and angle of bag individually adjustable
- + Lower mounting hook rotatable
- + Two strong 3M Scotchlite reflectors
- + Size ideal for 2 large office files, tablet, cell phone etc.
- + Inner compartments with pockets
- + Carrying handle and padded removable shoulder strap

Contents: Bag comes with inner compartment, padded shoulder strap and QL3.1 mounting components

Attention: Remove shoulder strap and stow away inside bag prior to biking

Optional Accessories: QL3.1 mounting set for rack diameters 12 to 14 mm (E190), QL3.1 mounting set (e.g. for a second bike)

Attention: Maximum load per pannier is 9kg / 20 lbs. We recommend weighing each loaded pannier to confirm that the maximum allowance of the pannier fixation is not exceeded. This practice is advised for both rear and front panniers. CAUTION: The maximum weight capacity of every carrier model is different. Please observe the maximum weight allowance of the carrier fitted to your bicycle. Note: Sometimes the maximum capacity of the panniers fixing system can exceed the maximum capacity of the carrier. DO NOT exceed the maximum capacity of the carrier! Note, that the use of panniers will significantly influence the handling properties of your bicycle.

Note: In order to meet standard IP64 (6=dustproof, 4=protected against splash water coming from all directions) the roll closure must be rolled at least 3-4 times.